



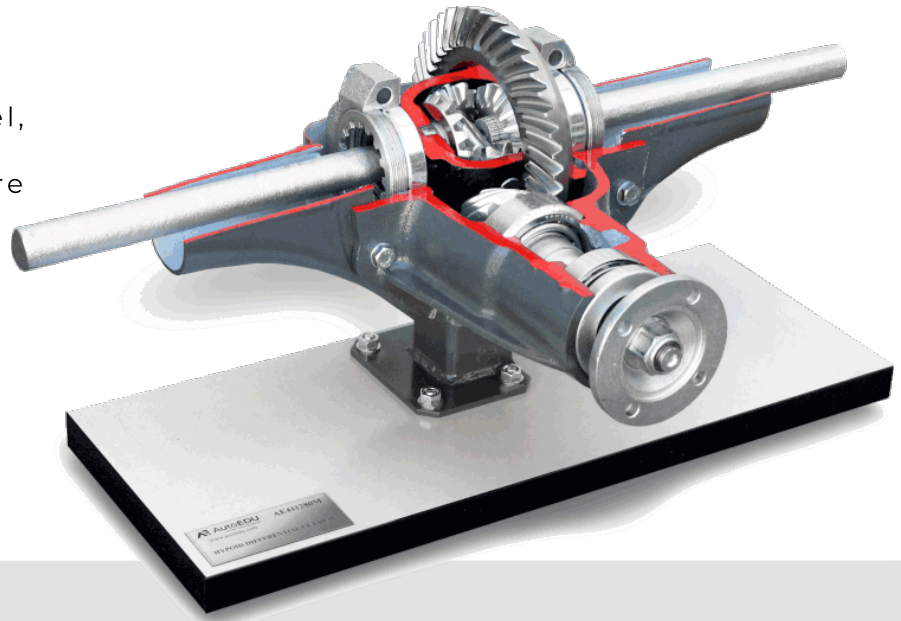
HYPOID DIFFERENTIAL CUTAWAY

A3

Product number

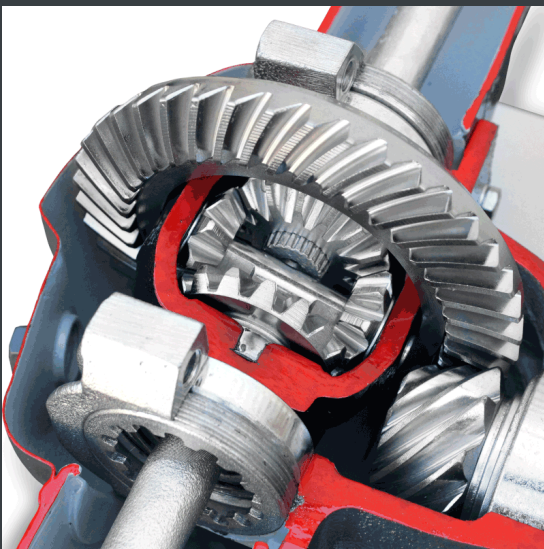
AE411280M

Cutaway training model of a hypoid differential system. Shows real internal parts including crown wheel, pinion gear, side pinions, and differential shaft. All components are fixed in position for demonstration. Made from real automotive parts. Designed for hands-on mechanical training to explain how torque is transferred and wheels rotate at different speeds.



Features

- Fixed-position hypoid differential with exposed crown wheel, pinion, and side gears
- Full visibility of gear tooth contact and rotation path
- Mounted on stable base for safe use in class
- Painted parts to separate components for learning
- No power or tools required



Specifications

- Dimensions: 500 x 400 x 300 mm (19.69 in x 15.75 in x 11.81 in)
- Weight: 30 kg (66 lb)
- Product number: AE411280M